

Kent Solo Paver Water Meter Manhole—KSPWM 178/178

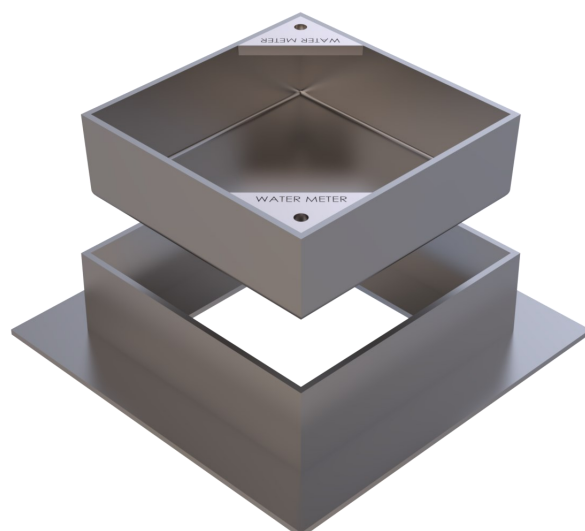
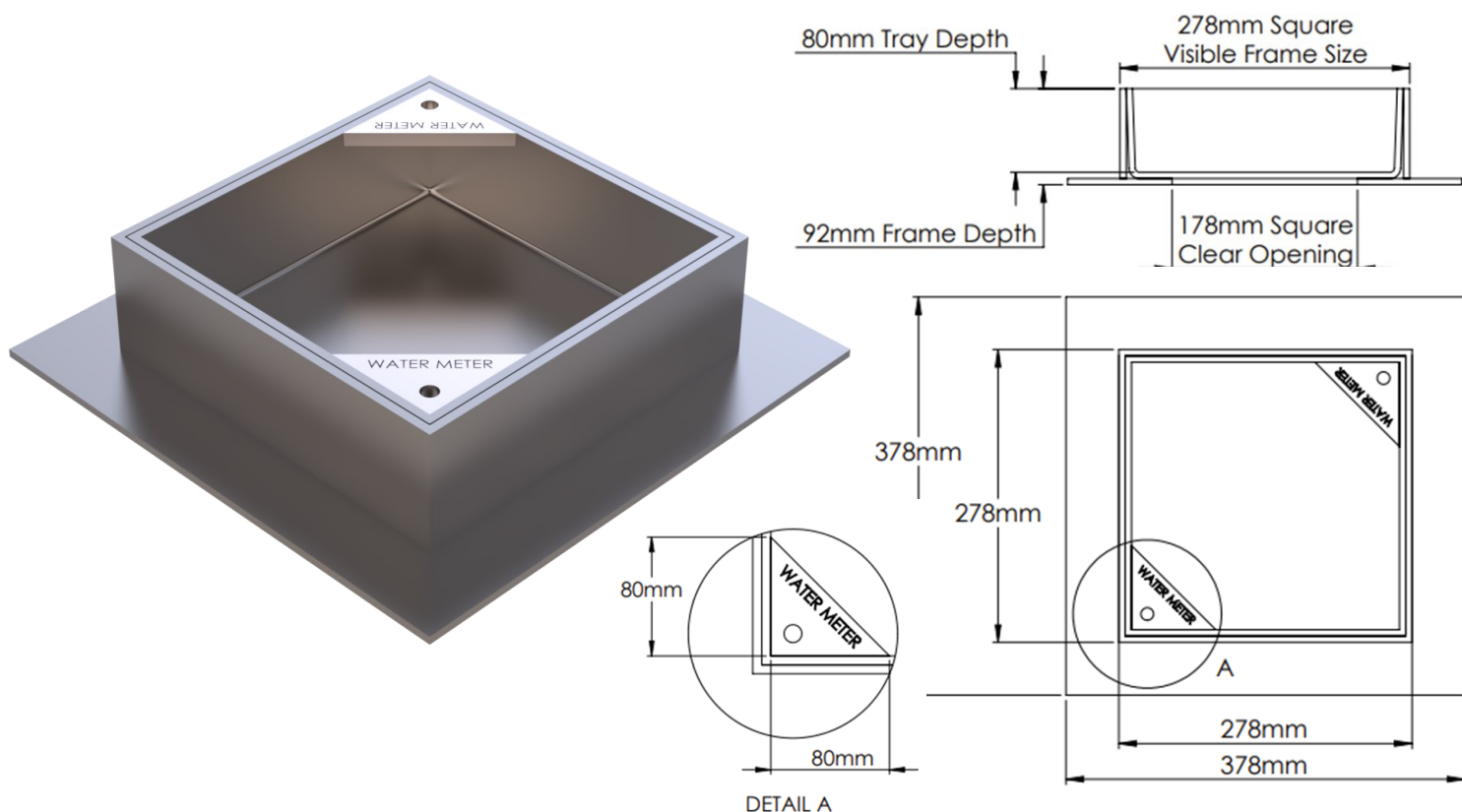
This is a small version of our Kent Solo Paver made to suit Water Meter Covers. They have optional Laser Cut lettering on the lifting corners to indicate services. The Recessed cover units are manufactured by EN124 and FACTA standards and are available in various loadings.

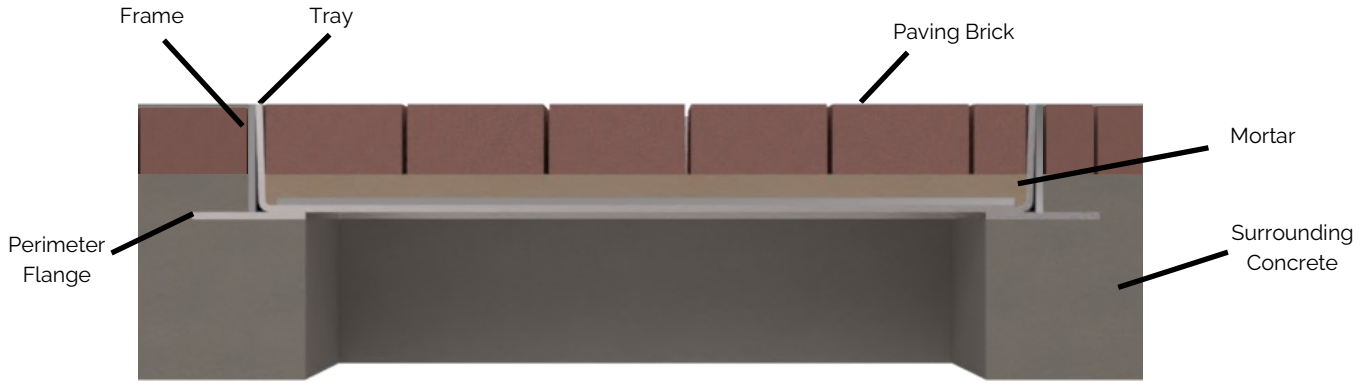
As standard it is manufactured in grade 316L stainless steel due to the extensive use of salt in de-icing streetscapes during Winter. The 80mm internal tray depth on the standard covers will take 50-60mm deep paver slabs or blocks with bedding. A popular optional variation is a 100mm deep tray for 80mm deep blocks and these have occasionally been manufactured with 180mm deep tray for 150mm deep pavers.

As standard a 6mm visible Frame Edge and Tray Edge is included – bespoke variations for architects are regularly fabricated.

- Laser-cut lettering in four corners
- Triangle lifting points aid block cutting
- Identification normally comprises:
 - Manufacturer
 - Loading
 - Year of Manufacture
 - Utility Identification
- Tapered sides to prevent jamming
- Full Perimeter Flange

06/2024





Product Code	Clear Opening	Visible Frame Size	FACTA Class
KSPWM178	178mm x 178mm	278mm x 278mm	B

Specify: Kent Solo Paver Manhole KSP 178/178/80; 178mm x 178mm clear opening; 80mm Tray depth; Unsealed; Grade 316 Stainless Steel; Loading FACTA B

(Amend underlined words to suit project)

This manhole can be specified in any dimension from 150mm to 300mm square clear opening, or any rectangular dimension in between.

FACTA B guarantees a 5 tonne point (250mm diameter pneumatic tyre) load by applying a 101kN test.

EN124 guarantees a 5 tonne point load with a 125kN test.



Car Traffic: 1-3 tonne (Load Class B for low speeds, D for Motorway speeds)



Heavy Vehicular Traffic—7.5 tonne (Load Class B for low speeds, D for Motorway speeds)



Emergency Vehicle Access—18 tonne (Load Class B for low speeds, D for Motorway speeds)



Fully Laden HGV—44 tonne (Load Class B for low speeds, D for Motorway speeds)

EN124 Class Available	Load Capacity	Strength Test Load
B125	5T	125kN
C250	6.5T	250kN
D400	11T	400kN

FACTA Class Available	Load Capacity	Strength Test Load
B	5T	101kN
C	6.5T	132kN
D	11T	220kN



A partner you can rely on