

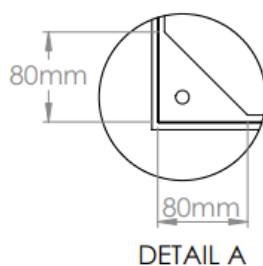
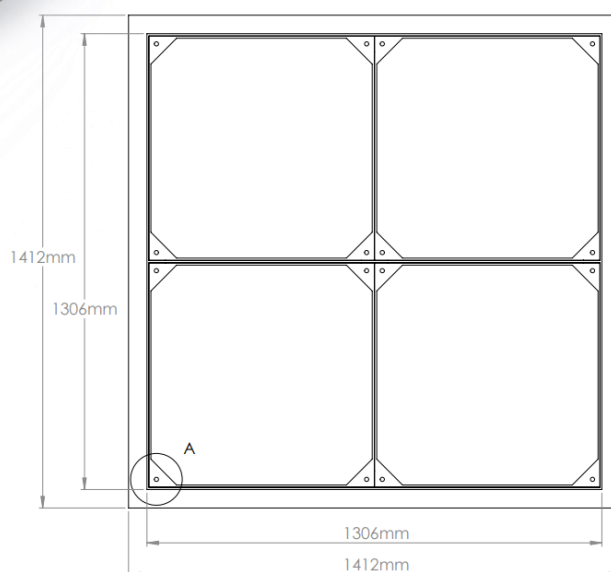
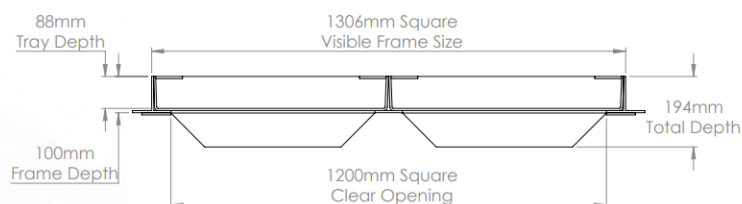
Kent Multi Paver Manhole—KMP 1200/1200

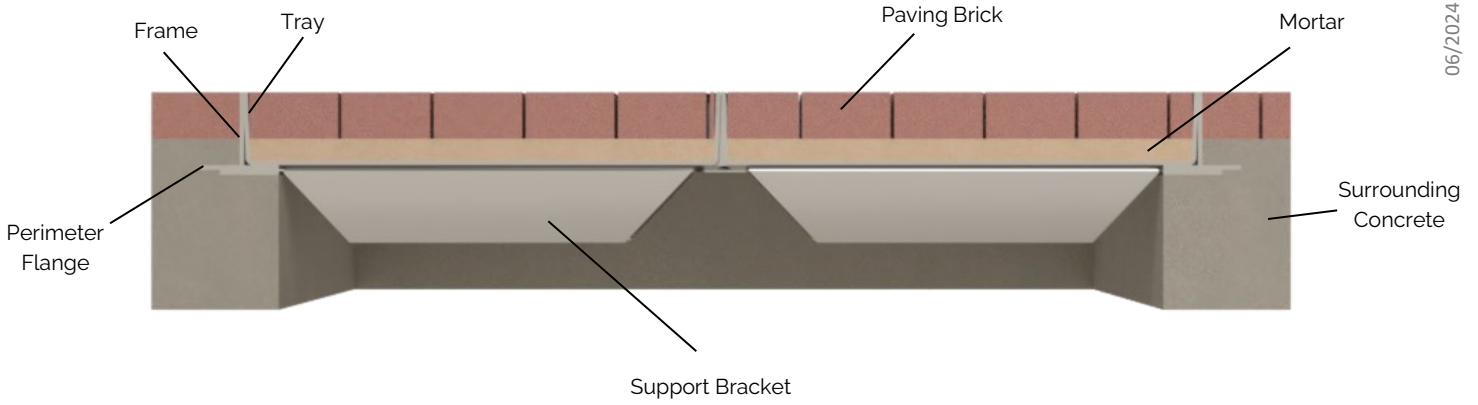
Kent Multi Paver Access Covers are designed for paved areas in urban landscapes. As standard they are manufactured in grade 316L stainless steel due to the extensive use of salt in de-icing streetscapes during Winter. The 80mm internal tray depth on the standard covers will take 50-60mm deep paver slabs or blocks with bedding. A popular optional variation is a 100mm deep tray for 80mm deep blocks and these have occasionally been manufactured with 180mm deep tray for 150mm deep pavers.

As standard a 6mm visible Frame Edge and Tray Edge is included – bespoke variations for architects are regularly fabricated.

- Laser-cut lettering in four corners
- Triangle lifting points aid block cutting
- Identification normally comprises:
 - Manufacturer
 - Loading
 - Year of Manufacture
 - Utility Identification
- Tapered sides to prevent jamming
- Full Perimeter Flange

06/2024





Product Code	Clear Opening	Visible Frame Size	FACTA Class
KMP1200/1200	1200mm x 1200mm	1306mm x 1306mm	B
KMP1200/1800	1200mm x 1800mm	1306mm x 1906mm	B
KMP1200/2400	1200mm x 2400mm	1306mm x 2506mm	B

Specify: Kent Solo Paver Manhole KSP1200/1200/80; 4 Tray 1200mm x 1200mm clear opening; 80mm Tray depth; Unsealed; Grade 316L Stainless Steel; Loading FACTA B

(Amend underlined words to suit project)

This manhole can be specified in any dimension 4 ray to 16 tray from 1200mm/1200mm to 1200mm/9600mm clear opening, or any rectangular dimension in between. All 6 load classes describe here can take the point load of the pneumatic tyres of a 44 tonne truck at slow speeds <20mph / 32kph.

FACTA B guarantees a 5 tonne point (250mm diameter pneumatic tyre) load by applying a 101kN test.

EN124 guarantees a 5 tonne point load with a 125kN test.



Car Traffic: 1-3 tonne (Load Class B for low speeds, D for Motorway speeds)



Heavy Vehicular Traffic—7.5 tonne (Load Class B for low speeds, D for Motorway speeds)



Emergency Vehicle Access—18 tonne (Load Class B for low speeds, D for Motorway speeds)



Fully Laden HGV—44 tonne (Load Class B for low speeds, D for Motorway speeds)



KMP1200/9600—16 Tray at Paddington, London, UK

EN124 Class Available	Load Capacity	Strength Test Load
B125	5T	125kN
C250	6.5T	250kN
D400	11T	400kN

FACTA Class Available	Load Capacity	Strength Test Load
B	5T	101kN
C	6.5T	132kN
D	11T	220kN