

Kent Wall Guard



Kent
STAINLESS



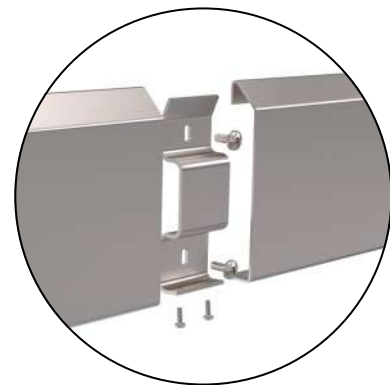
Kent Wall Guards (KWG) are designed primarily to protect insulated wall panels .

Kent Wall Guards are fixed in place using wall mounted hidden brackets that are screwed into place on installation.

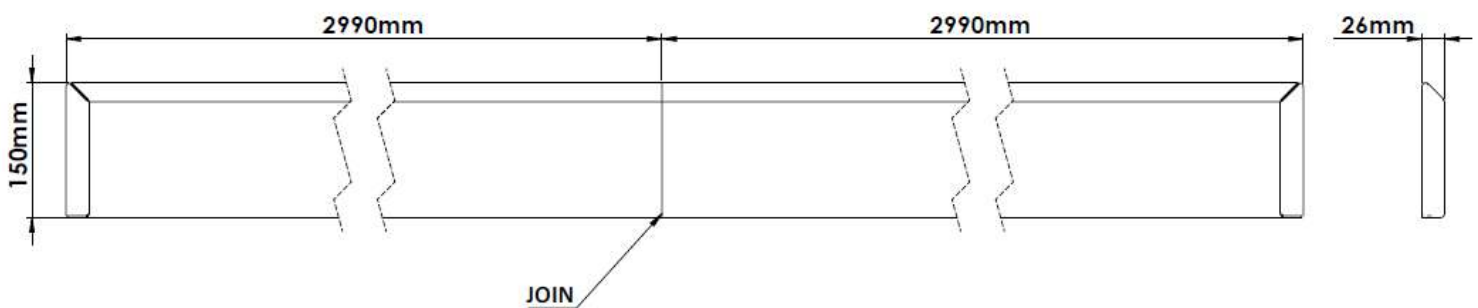
The hidden fixings, along with a chamfered top and round corners ensure that there are no dirt traps.

Features:

- 2mm or 3mm thick steel
- Satin finish 320 Grit polished
- Grade 304L or 316L stainless steel
- Easy to maintain & clean
- No exposed fixings

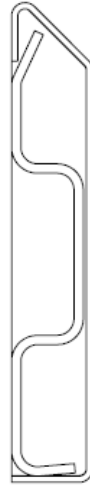
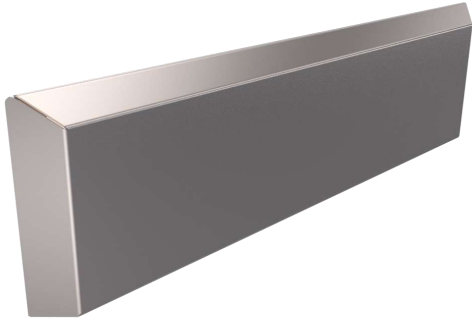


Join Fixing Detail

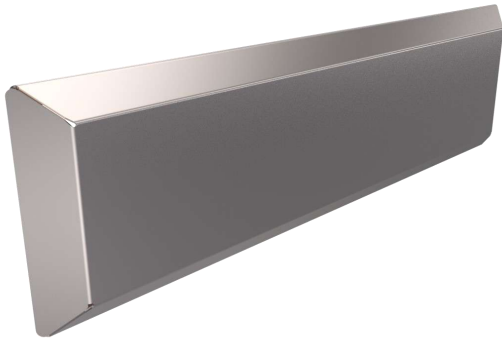


Product Code	Length	Height	Thickness
Kent Wall Guard KWG 150/2	2990mm	150mm	2mm
Kent Wall Guard KWG 200/2	2990mm	200mm	2mm
Kent Wall Guard KWG 150/3	2990mm	150mm	3mm
Kent Wall Guard KWG 200/3	2990mm	200mm	3mm
Kent Wall Guard KWG 300/3	2990mm	300mm	3mm

Screw Fix



Clip On



Specify

Choose your steel:
Grade 304L Stainless steel
Grade 316L Stainless steel

Customise your size, or go with our standard 2990mm x 150mm (See size chart on page 1 for dimensions)

Specify:

Kent Wall Guard (KWG 150/2); Grade 304L Stainless Steel; L:2990mm, H: 150mm; 2mm Thick Steel; Satin Finish 320 Grit Polish; Screw Fix

Choose your thickness:
2mm
3mm

Choose your type:
Screw Fix
Clip On

Options

Grade 304L Stainless Steel
Grade 316L Stainless Steel
2mm thick
3mm thick
Screw Fix
Clip On



Maintenance of Stainless Steel

Clean the stainless steel components using warm water with a mild detergent with a non-abrasive cloth or sponge. Heavier stains may require the use of a nylon-scouring pad or a stainless steel cleaner.

To remove paint or graffiti use a cloth and Alkaline or solvent paint strippers according to type of paint. In the case of a bead blasted finish, where abrasive cleaning is required, always use a random circular rubbing action with a cloth.

In the case of brushed finishes the surface consists of uniform fine 'scratches' running in one direction so where abrasive cleaning is required always use a straight back and forward rubbing action in the direction of the grain using soap and warm water.

Rust spots or 'tea stains' can occur on the surface of the material, these are normally caused by contamination from ordinary mild steel, particularly in areas where construction work has been undertaken. Such stains can be removed using Rust Remover 410.

In cases where the surface is severely stained because of severe environmental conditions or scratched due to misuse, it may still be possible to restore the original finish using chemicals such as Oxalic Acid solution. There are many stainless steel polishes available to enhance the surface finish.





Kent Stainless Ltd

Ardcavan, Wexford, Ireland

TEL NO: +353 53 9143216
UK FREEPHONE: 0800 376 8377
FAX: +353 53 9141802
WEB: www.kentstainless.com
EMAIL: info@kentstainless.com



Kent
STAINLESS