

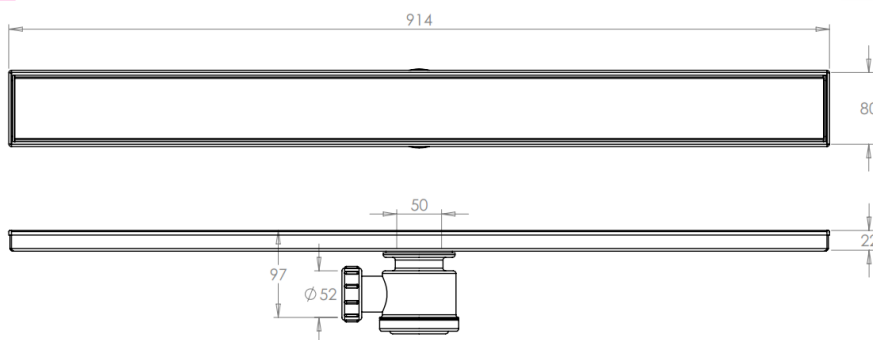
KENT KLSD (SS) – Linear Shower Drain (Stainless Slot)

The Kent Stainless Linear Shower Drain has been specifically designed for barefoot walk in shower areas, washrooms and wetrooms. The Wetroom channel is made from **grade 316 stainless steel** and comes with 1 ½ BSP trapped side outlet as standard. The channel is available in 914mm lengths and this model comes with a Stainless Slot Top Grating which shows a 5mm drainage slot all round.

Kent Stainless Linear Shower Drain Channels are ex-stock in our Irish factory and offer excellent value for money. Due to their lightweight construction they can be air freighted with an 8-10 day delivery period.

Features

- Grade 316 Stainless steel
- Easy to clean
- 1 ½" BSP PVC shower trap included
- Satin finish as standard;
- Ex stock; spare parts also ex stock



Product Code	Height	Length	Width	Outlet	Flow Rate*
KLSD(SS)	22mm	914mm	80mm	1.5" BSP	0.9 l/s

Specify Kent Linear Shower Drain KLSD(SS). Grade 316 stainless steel complete with 1 ½" BSP PVC shower trap and stainless slot top grating.



BS EN1253 Class K3